

**BALUSTRADE**  
**SECTION 2**



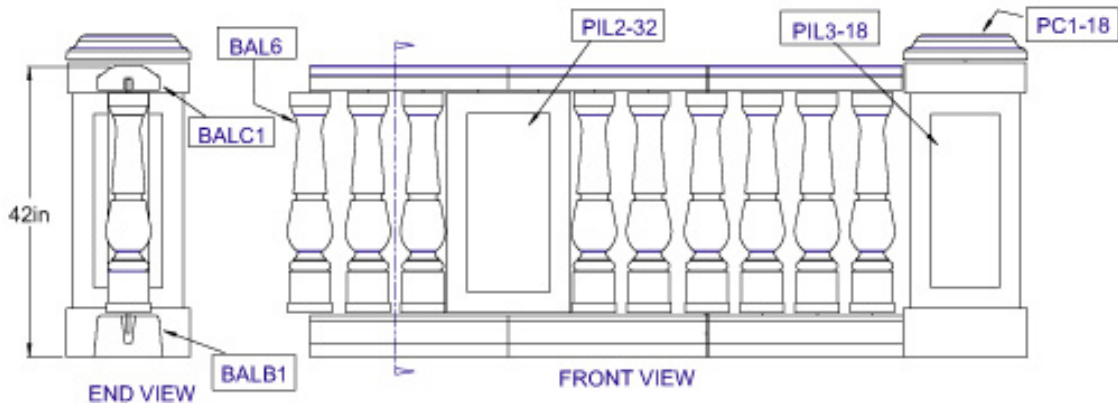
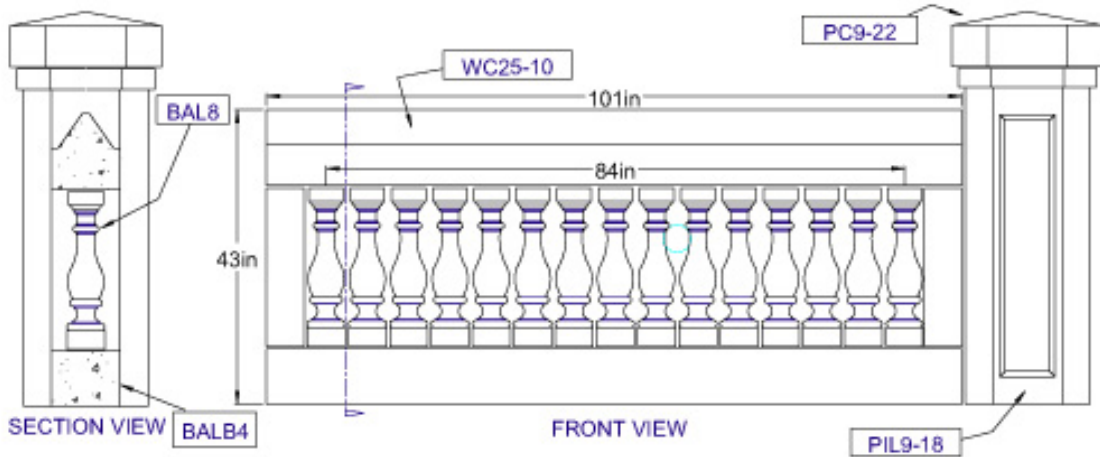
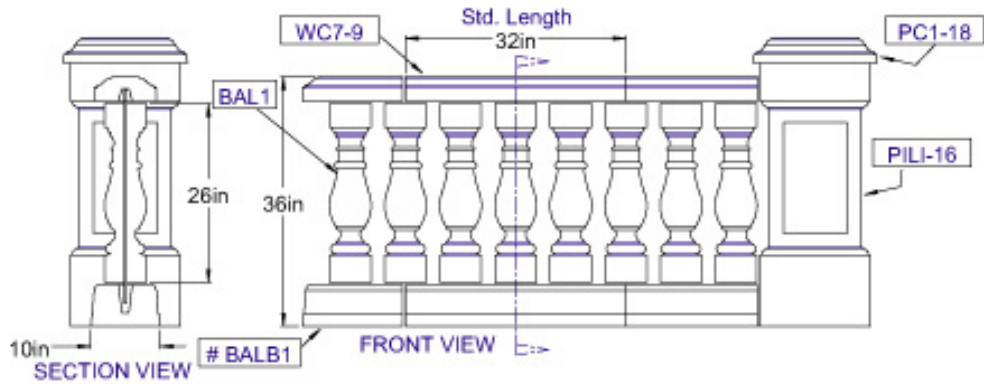
**Lite Stone Concrete** offers complete balustrade systems in a wide variety of styles, sizes, and configurations which can accommodate a diverse range of design and building requirements.

All baluster units are produced with rebar for both attachment and lateral stability. The variety of potential designs normally requires field drilling on the base and top rail. This is done in order to accommodate the selected baluster size and any applicable building codes.

**It is important** to refer to your local building codes when designing any rail system for proper baluster spacing and rail height regulations.

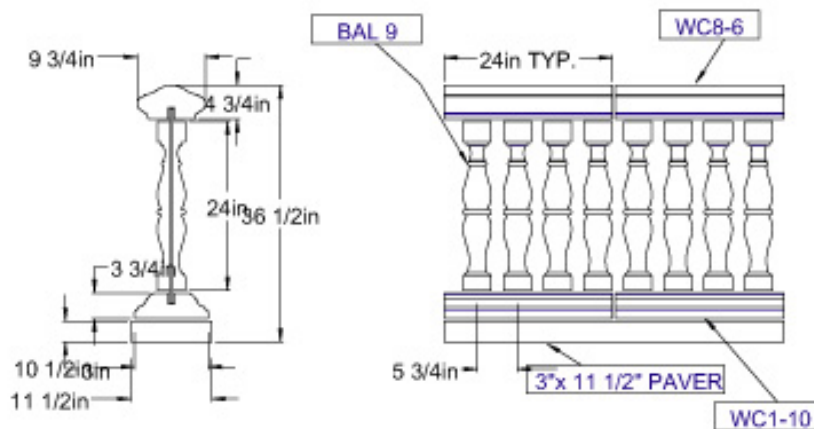
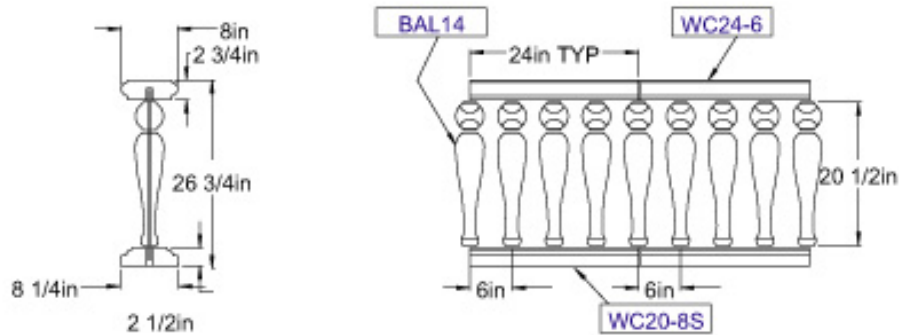
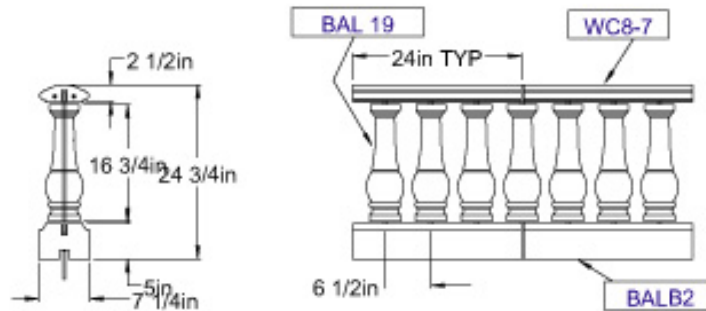
Lite Stone Concrete welcomes the opportunity to create custom styles in order to meet your specific requirements. Custom styles are supplied on a special order basis.

**BALUSTRADE ASSEMBLY**  
ADDITIONAL BALUSTER, BASE AND CAP  
COMBINATIONS AVAILABLE

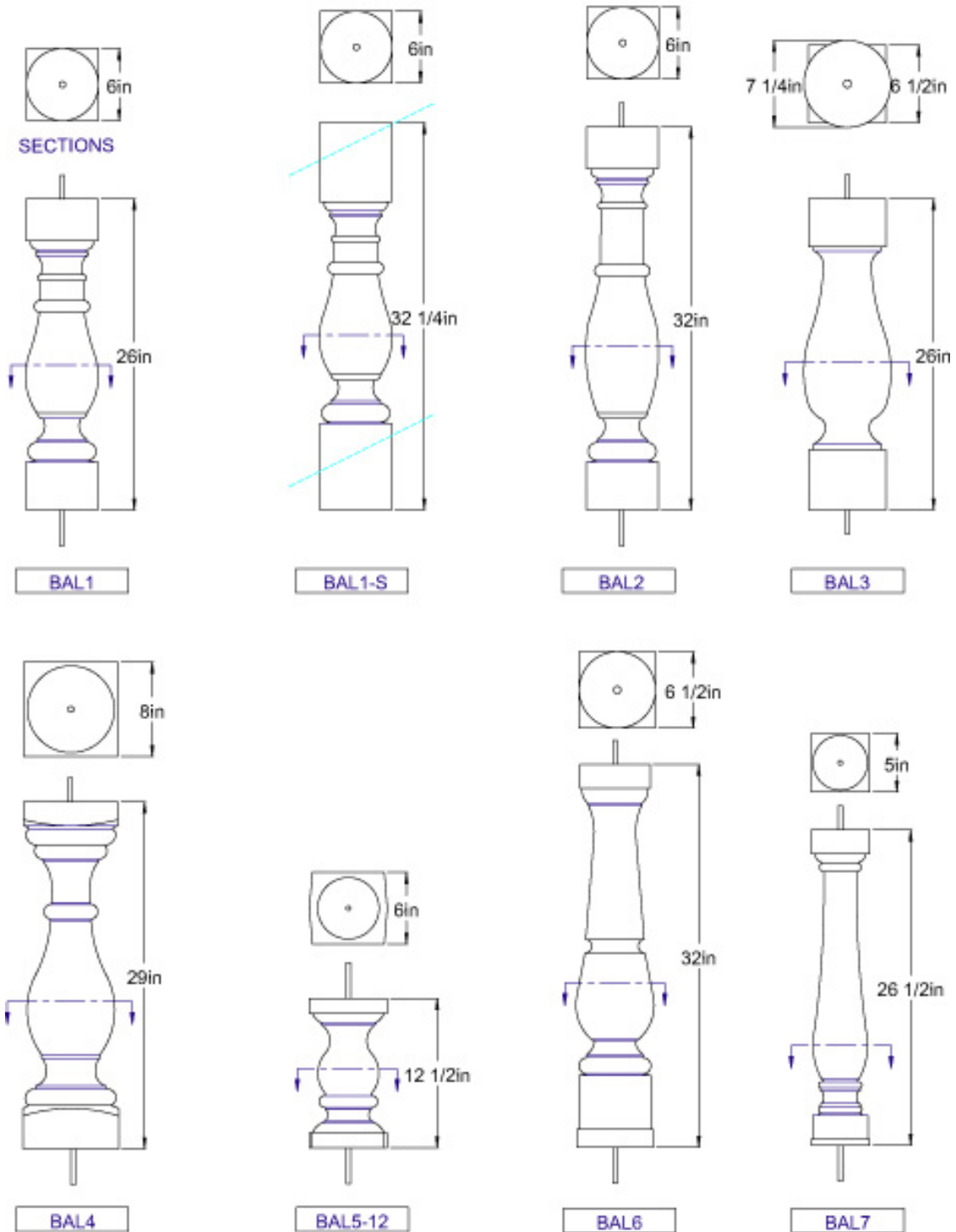


2 - 1

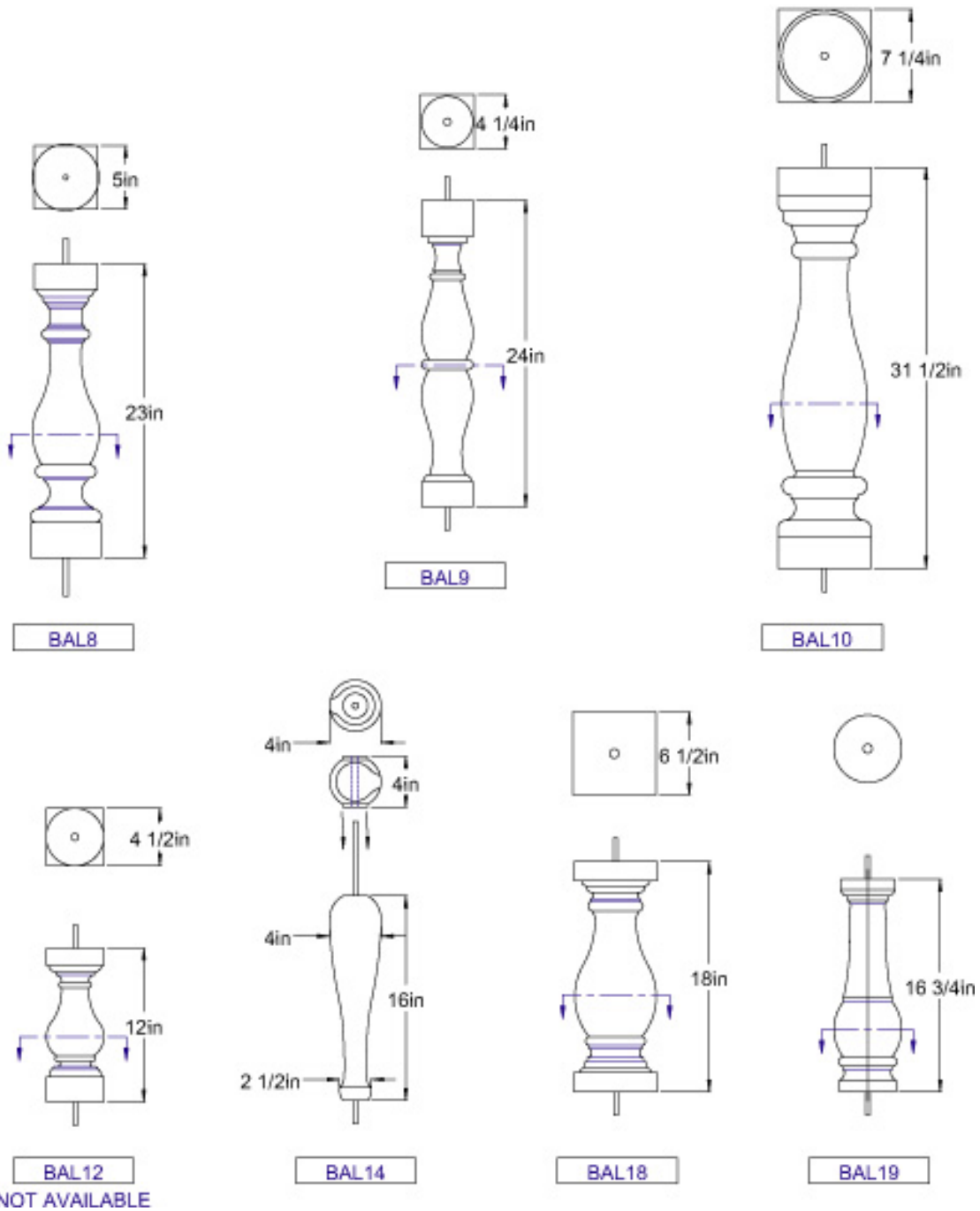
**BALUSTRADE ASSEMBLY  
ADDITIONAL BALUSTER, BASE AND CAP  
COMBINATIONS AVAILABLE**



**BALUSTERS**

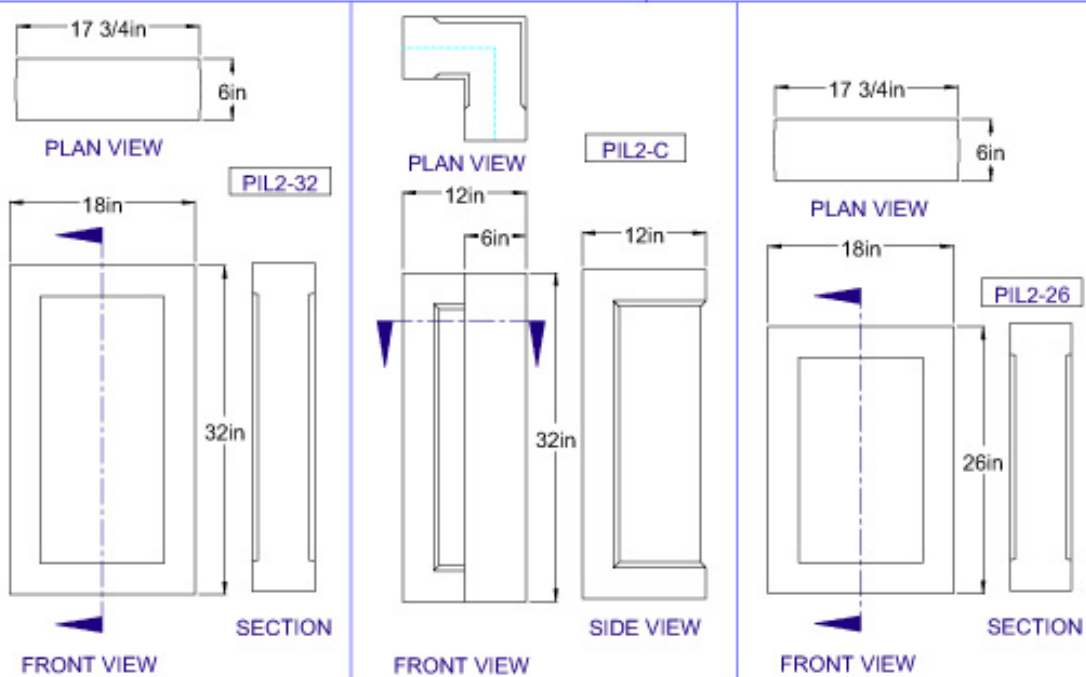
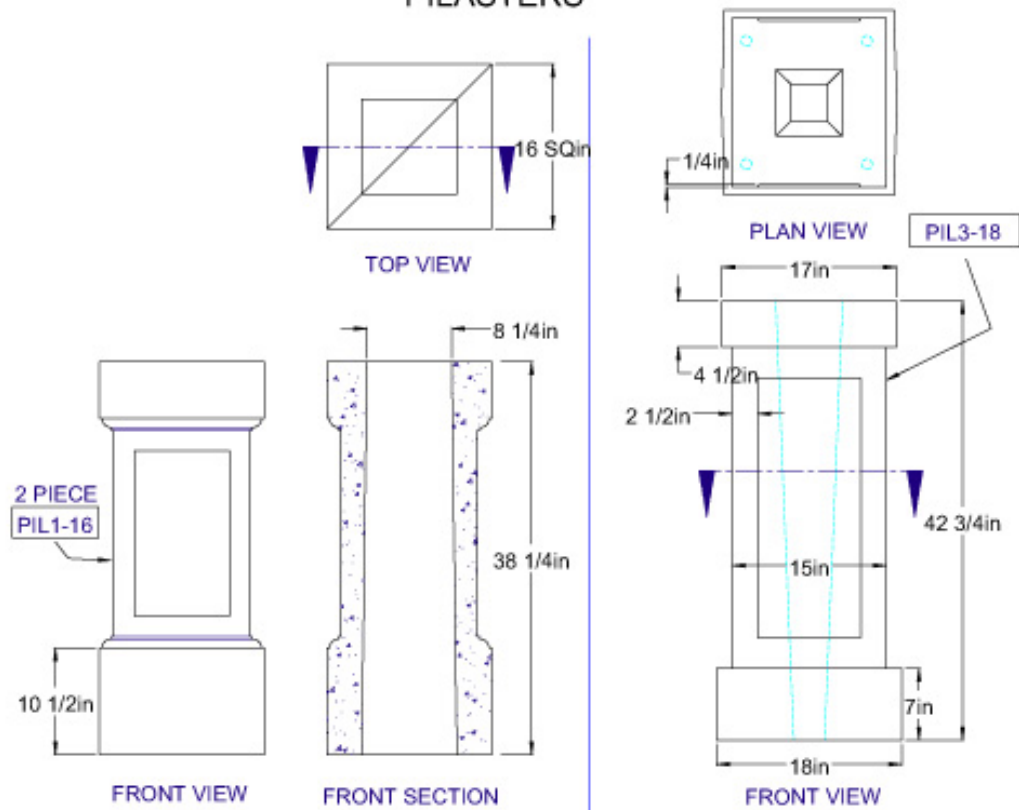


**BALUSTERS**

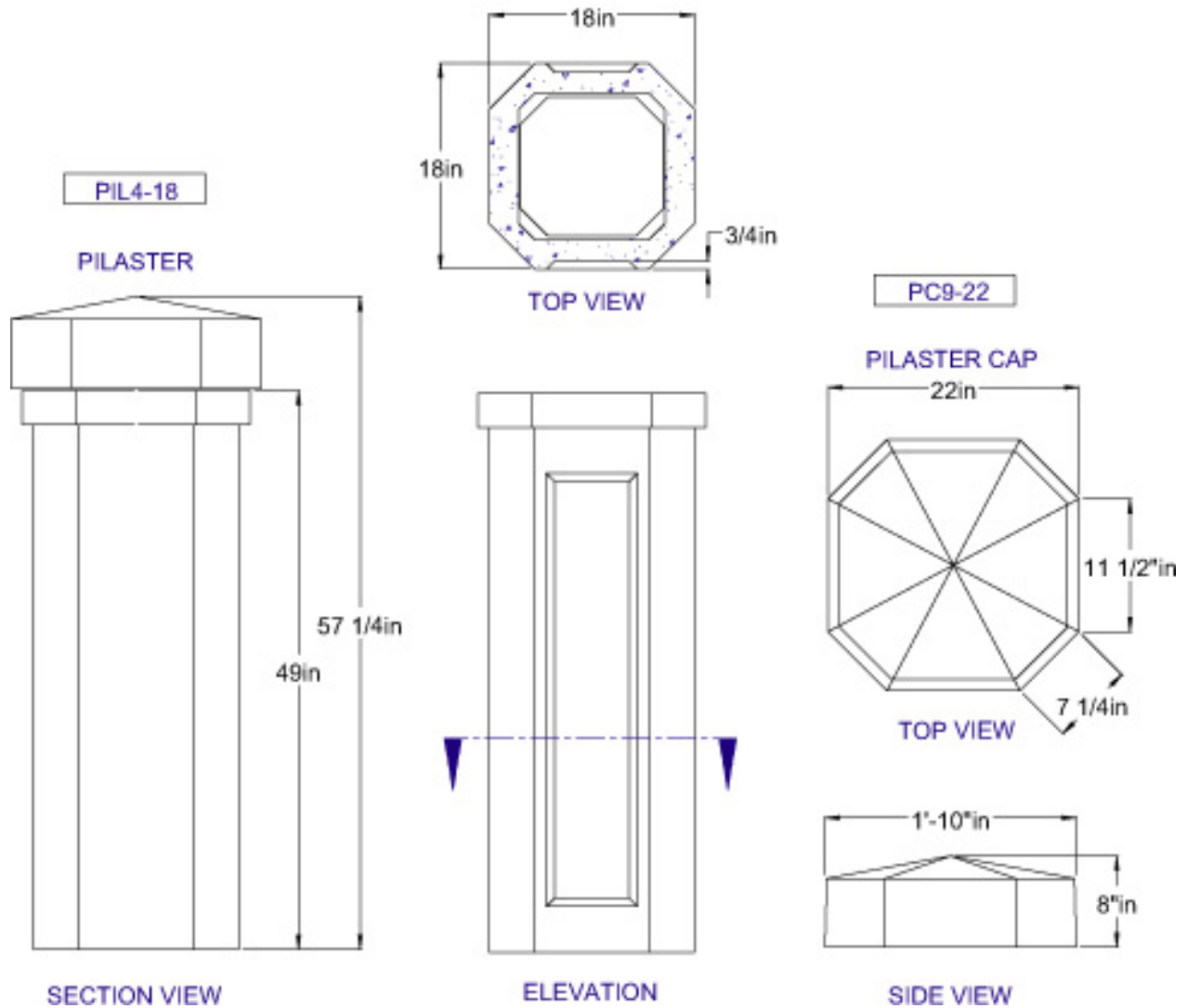




### PILASTERS

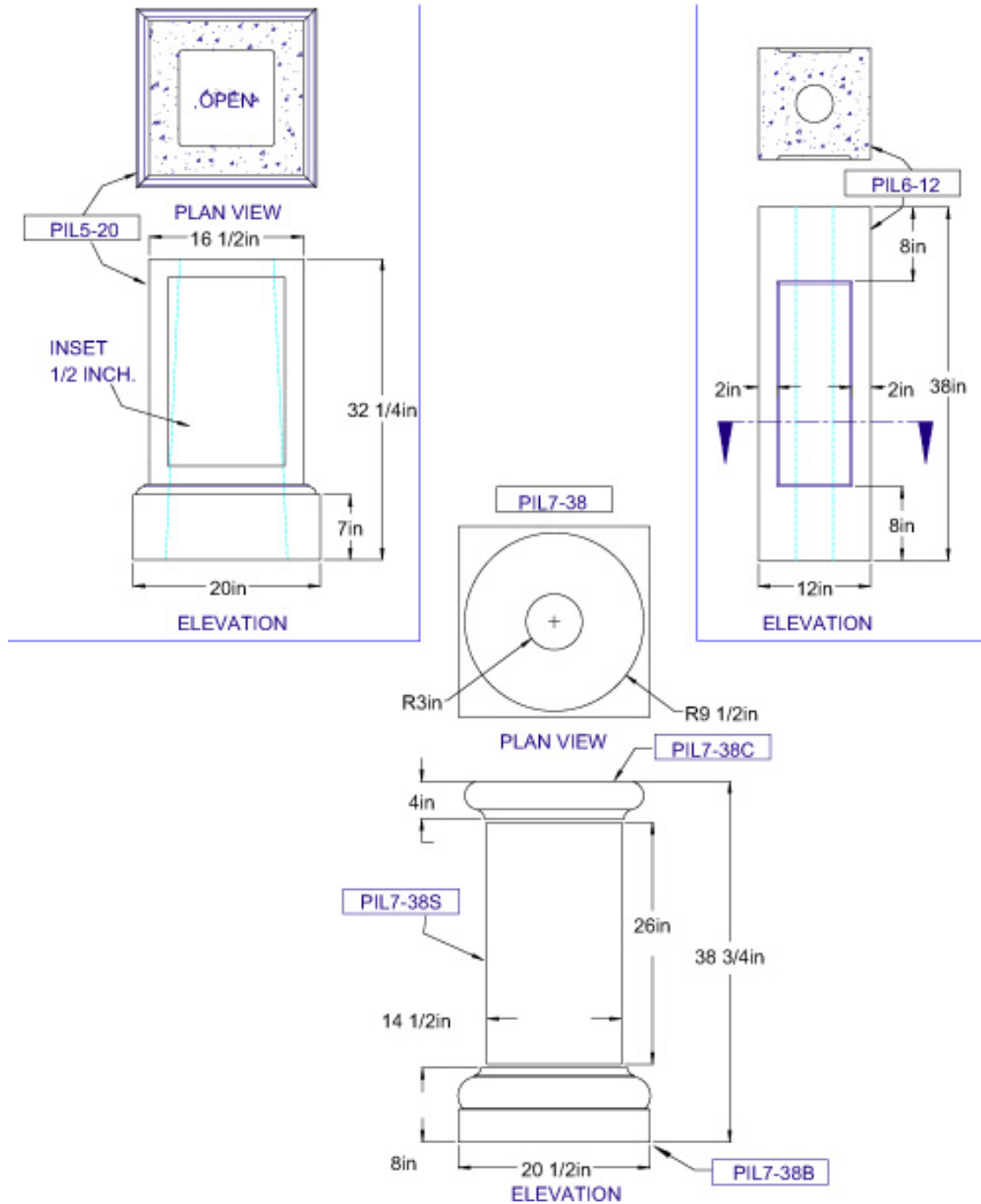


**PILASTERS**



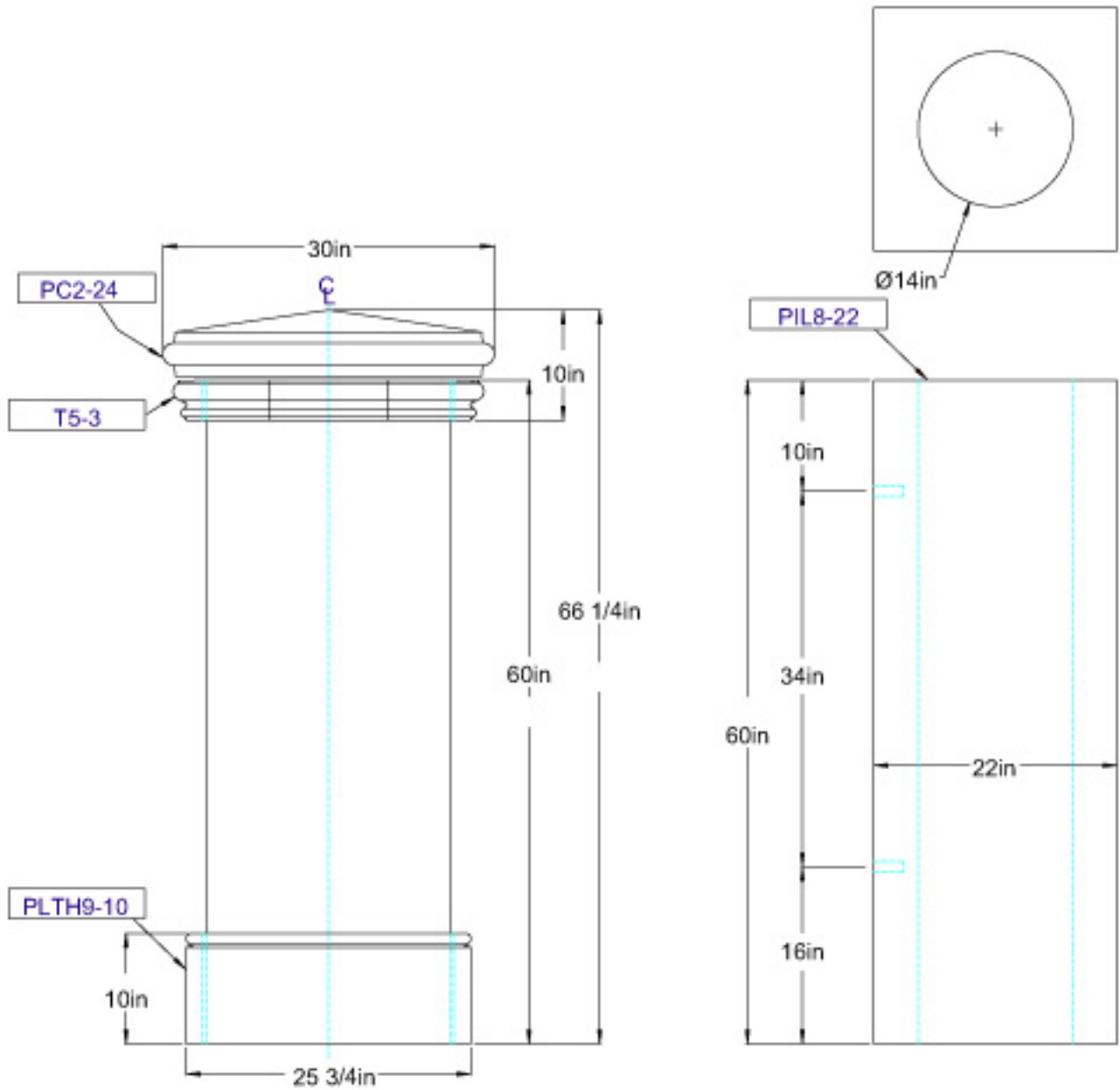
2 - 6

### PILASTERS

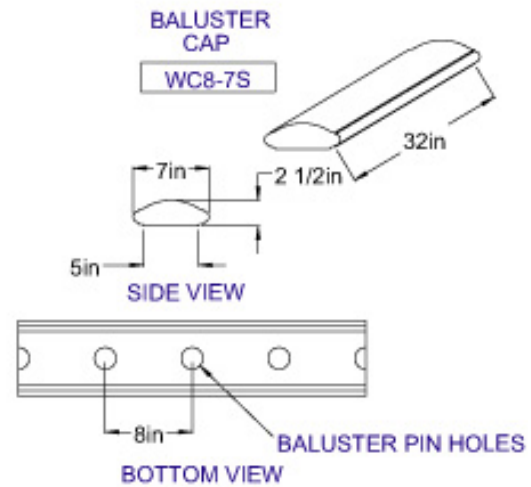
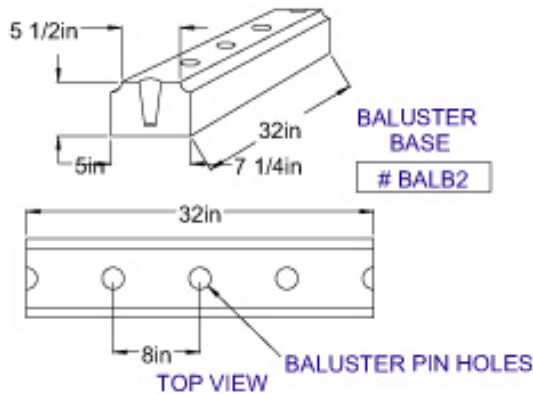
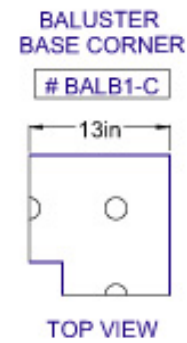
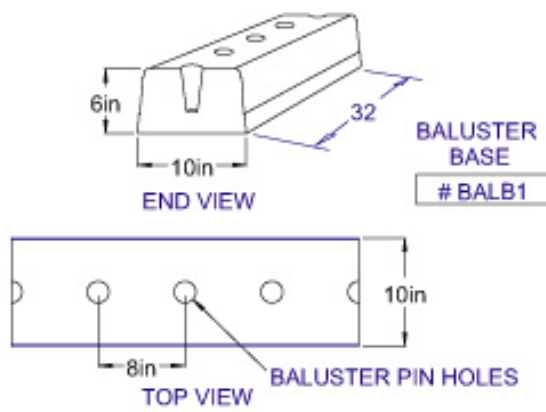
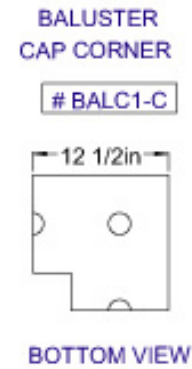
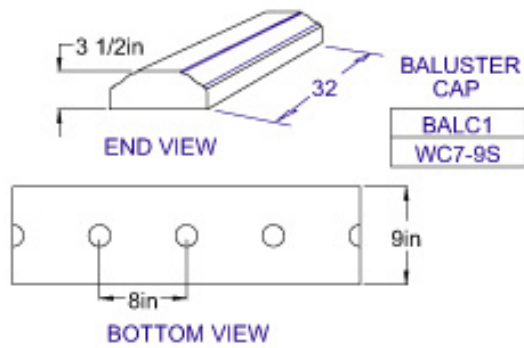




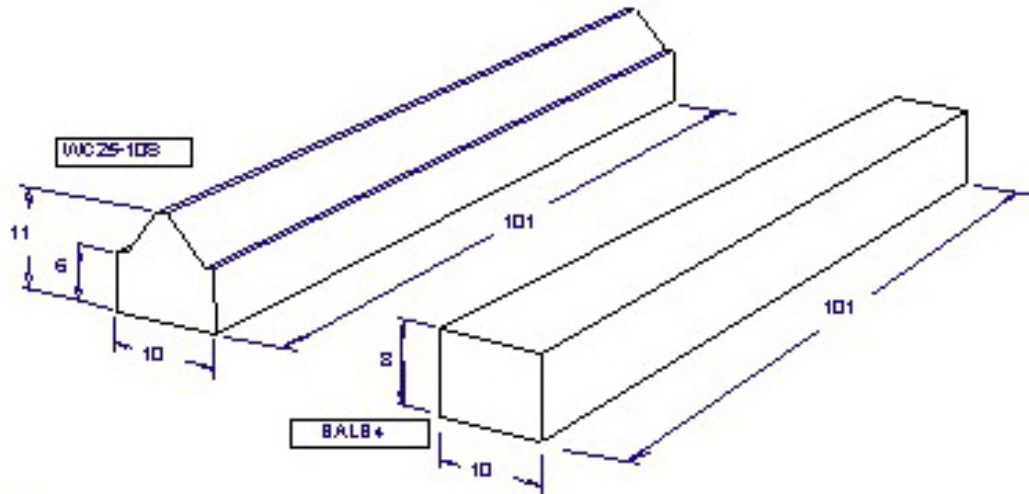
**PILASTERS**



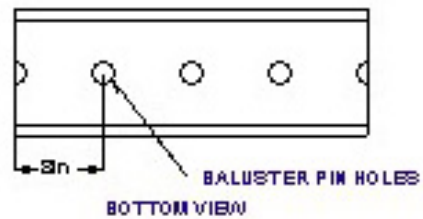
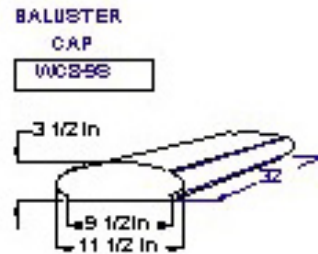
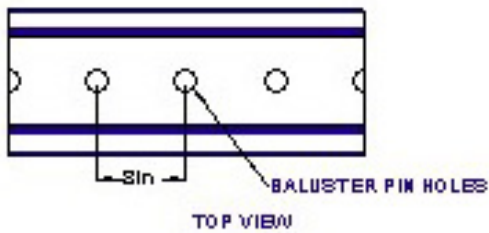
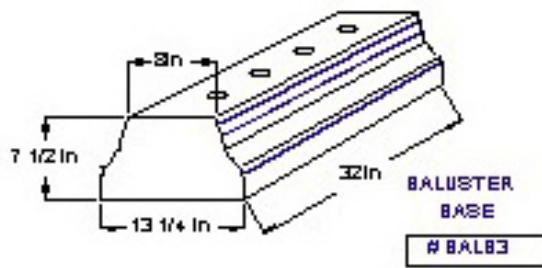
### BALUSTER CAPS AND BASES



BALUSTER CAPS AND BASES



NOTE:  
HOLES TO ACCEPT BALUSTER PINS, MUST BE FIELD DRILLED.



### WALL CAPS SUBSTITUTING FOR BALUSTER CAPS AND BASES

NOTE:  
HOLES TO ACCEPT BALUSTER PINS, MUST BE FIELD DRILLED.

