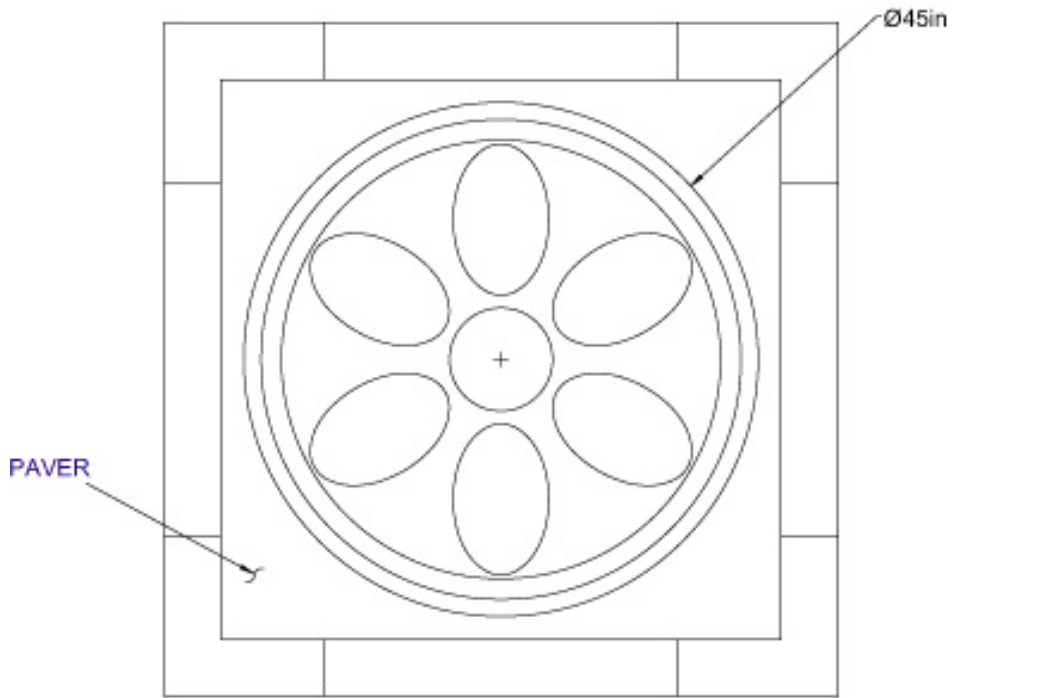
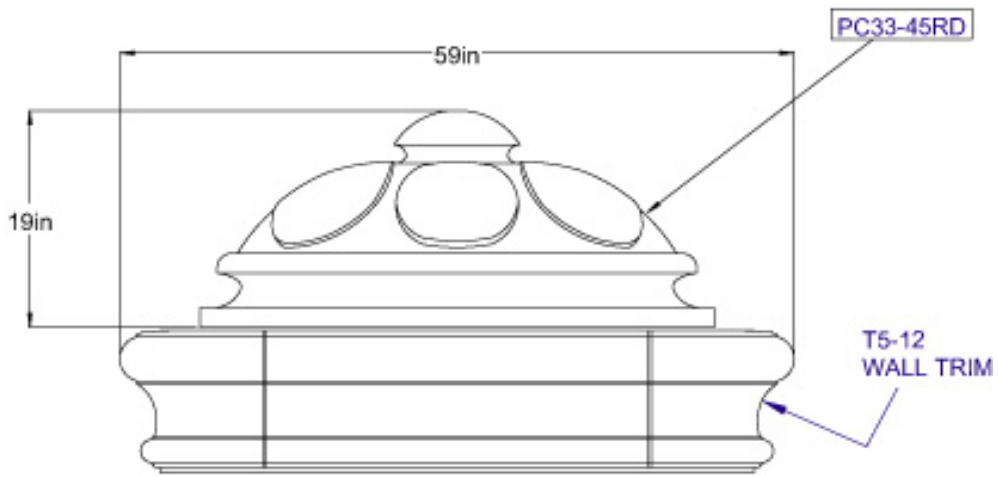


PILASTER CAPS



PLAN VIEW



ELEVATION VIEW

4 - 7