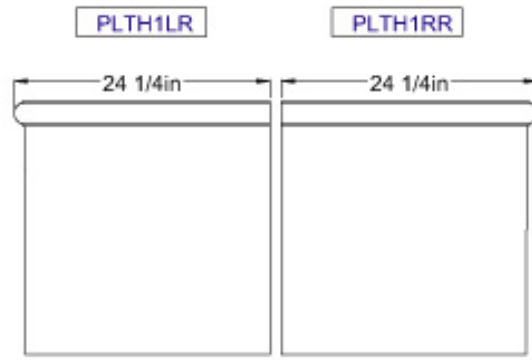
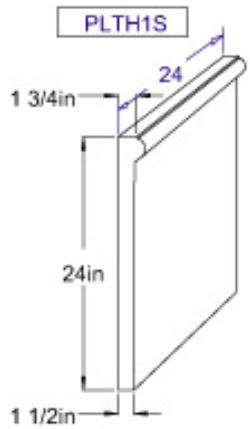


PLINTHS
SECTION 7

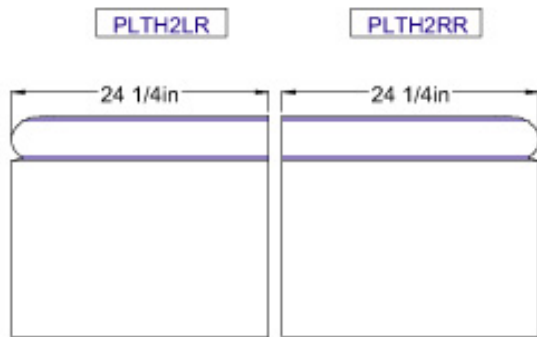
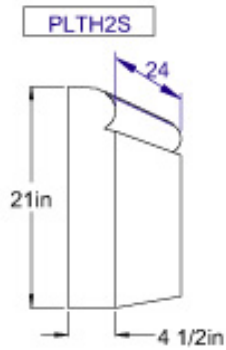


Originally, the plinth stone was a continuous course of stone which supported a given wall. On occasion, plinth stones are still utilized as structural members however they generally serve as decorative pieces which only provide the appearance of support at the exterior base of a wall. Plinth stones are sometimes incorrectly referred to as “wainscoting”. A “wainscot” is the term used for an exterior piece which is applied against the base of the wall and which usually extends at least 30 inches upward from the surface of the deck.

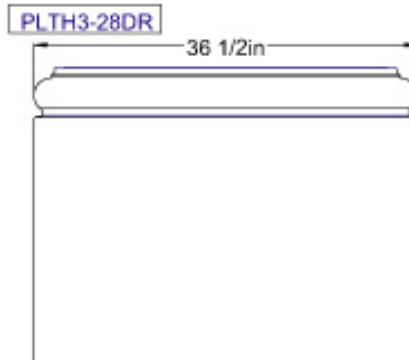
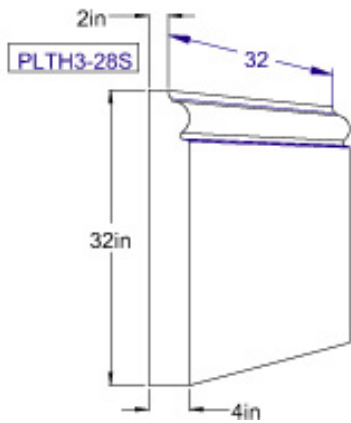
PLINTHS



LEFT & RIGHT RETURNS



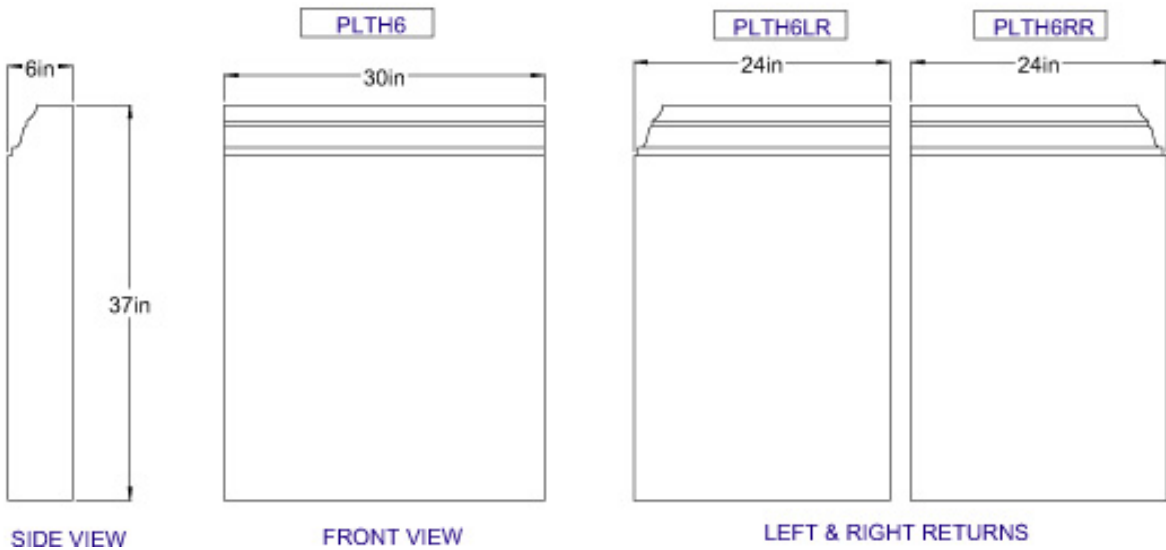
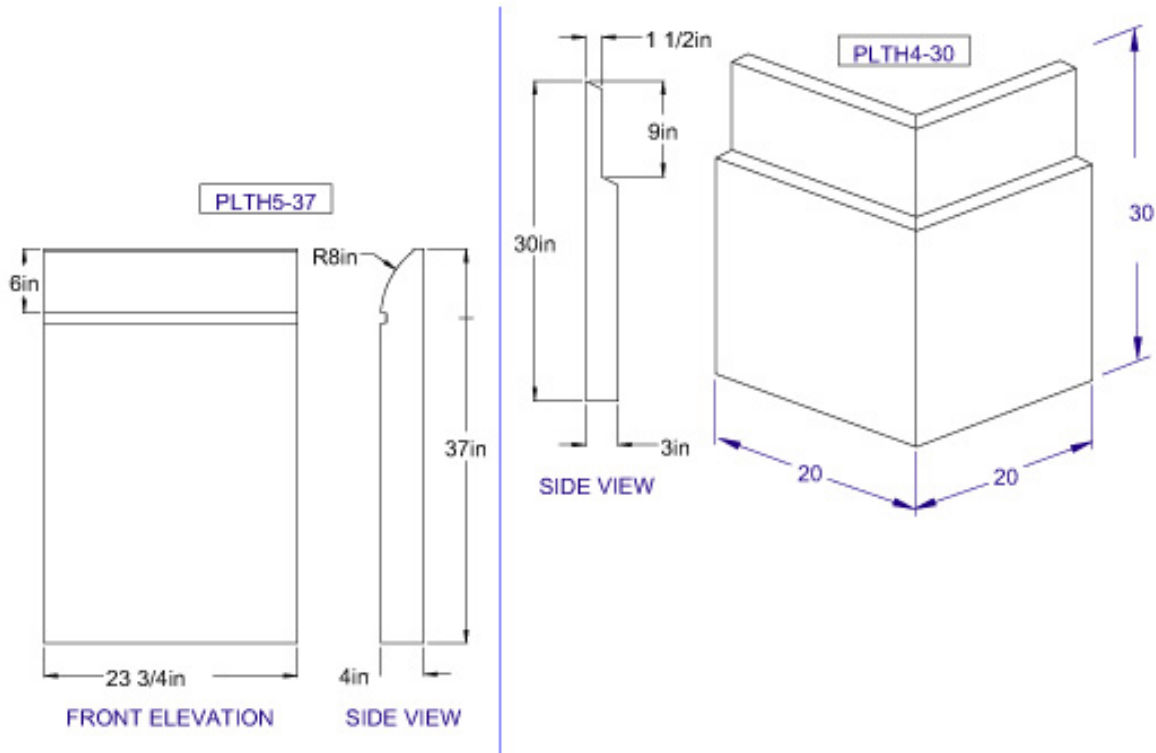
LEFT & RIGHT RETURNS



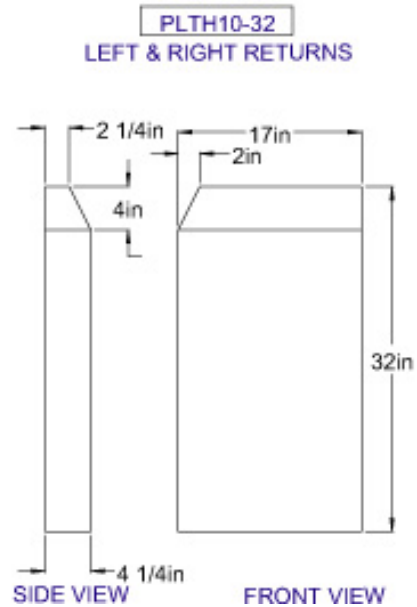
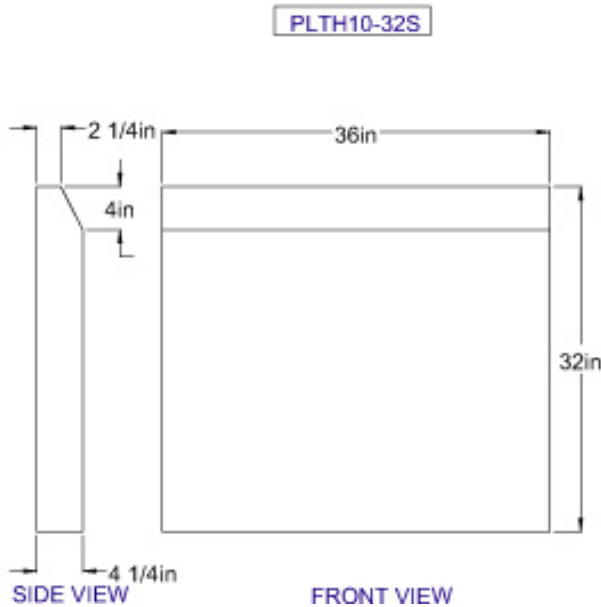
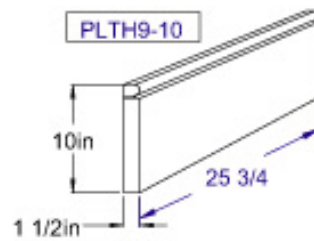
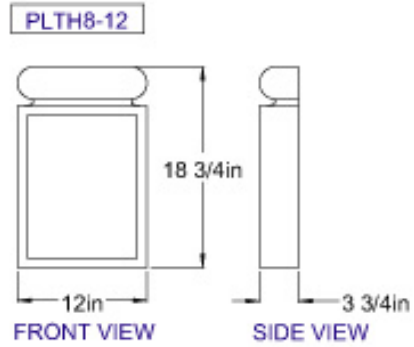
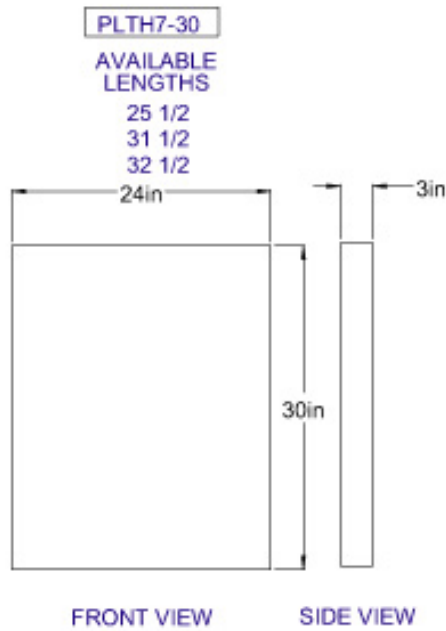
FRONT VIEW

7 - 1

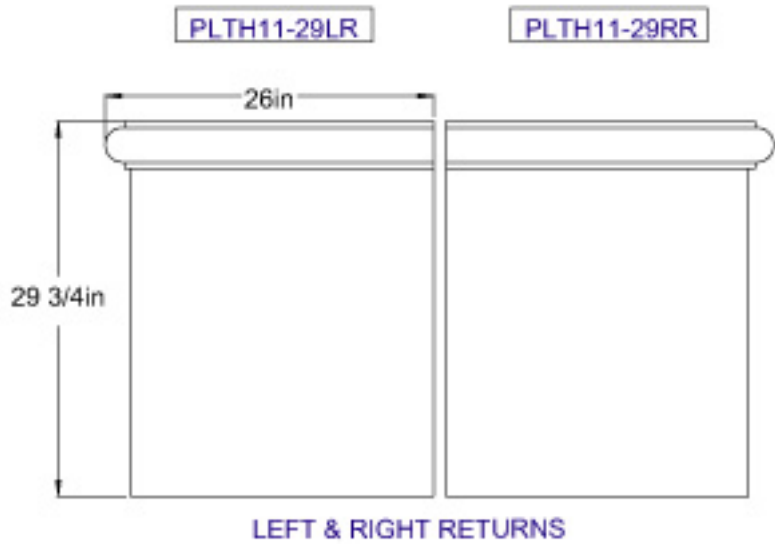
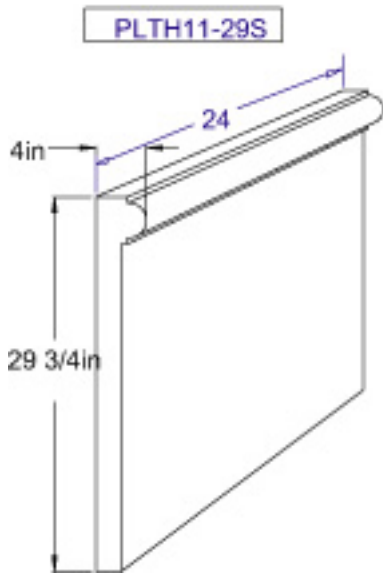
PLINTHS



PLINTHS



PLINTHS



7 - 4