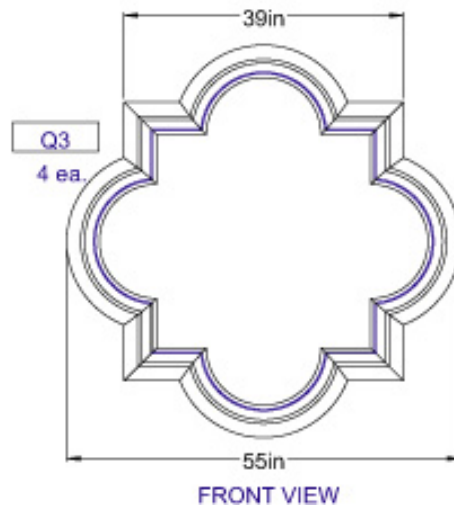
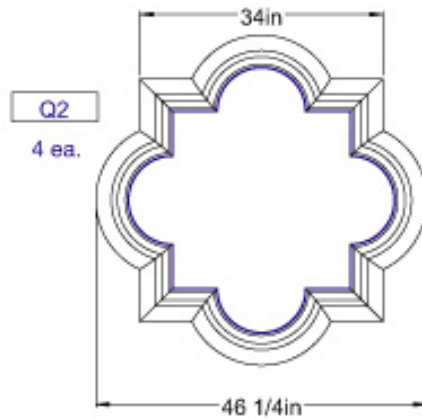
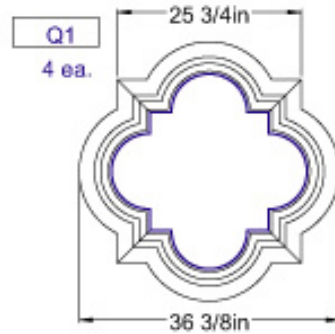
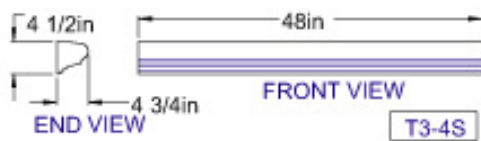
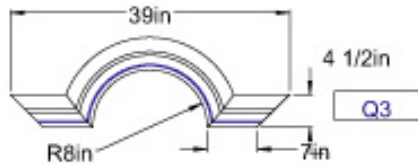
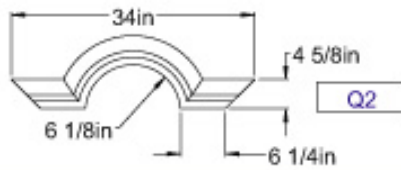
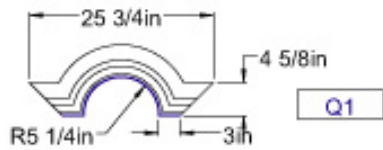
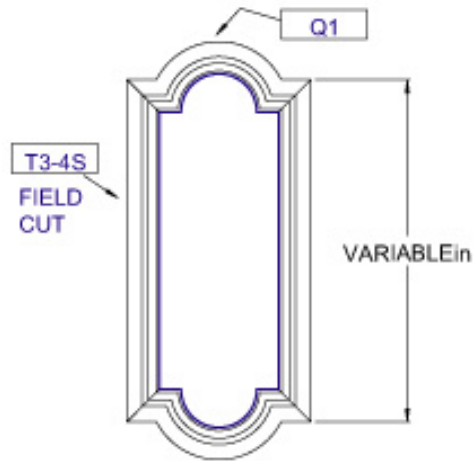


QUATREFOILS
SECTION 8

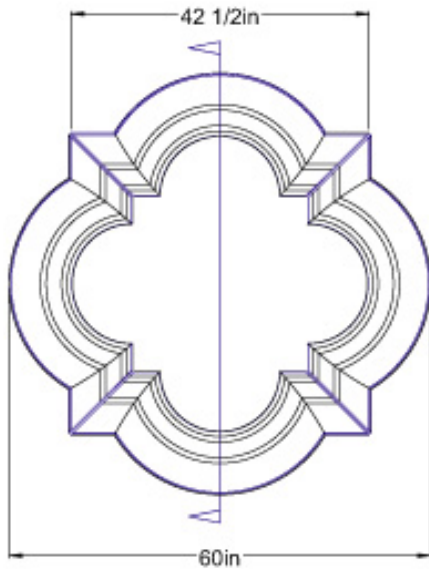


“Quatre” (meaning four) combined with “foil” (meaning leaf) is a geometric design consisting of an arc projecting from each side of a square or rectangle. This shape is often used in architecture and is frequently seen in the Middle East. It is particularly complimentary when used in fountains and window designs.

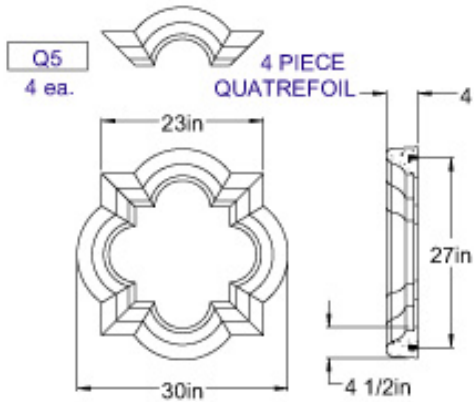
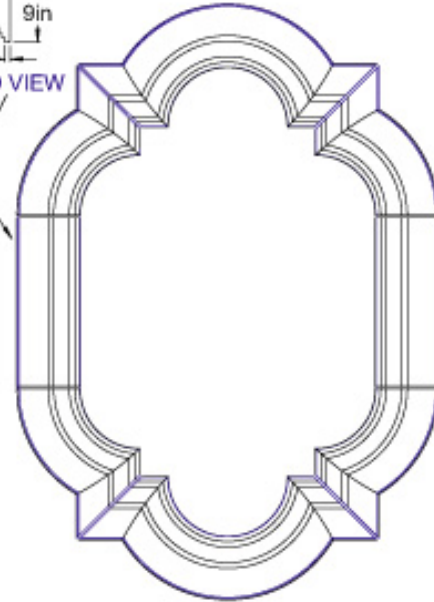
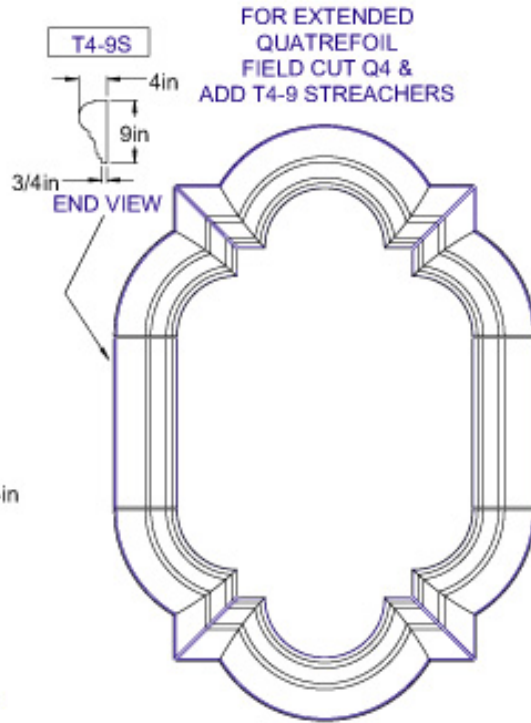
QUATREFOILS



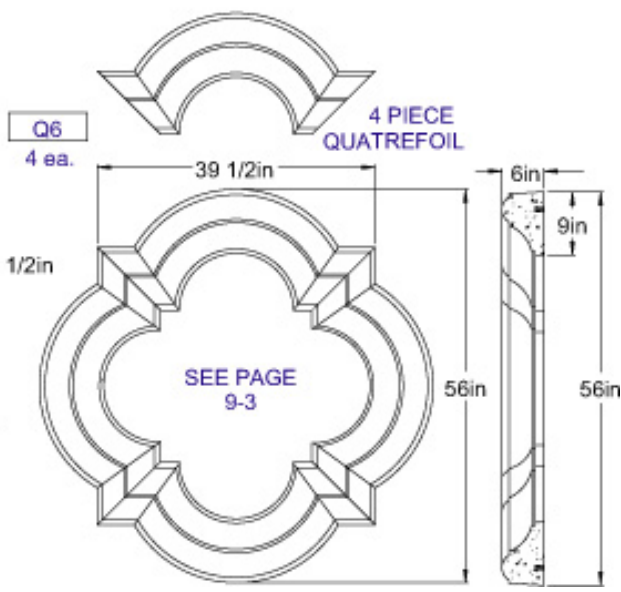
QUATREFOILS



FRONT VIEW

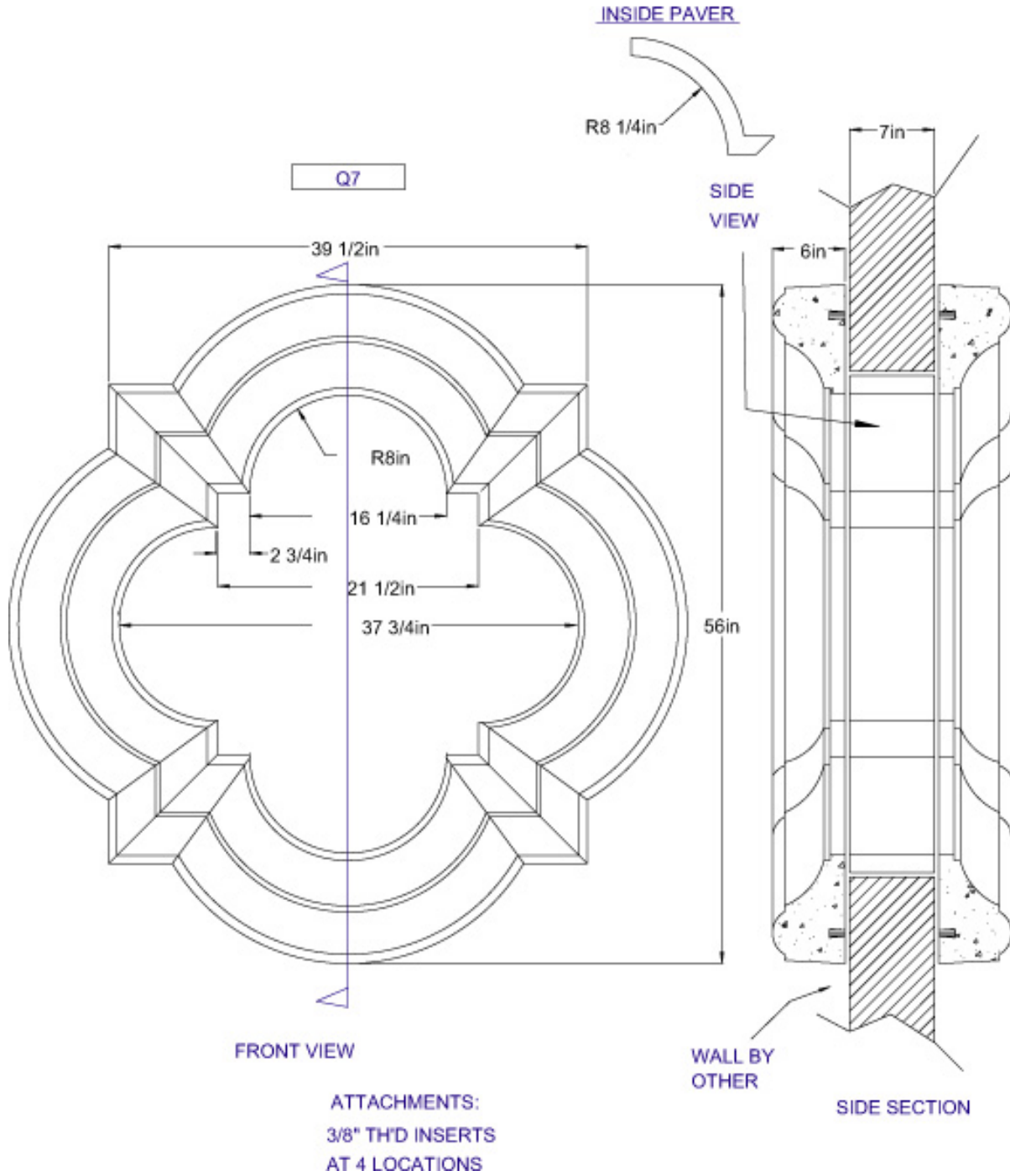


FRONT VIEW



SEE PAGE
9-3

QUATREFOILS



8 - 3